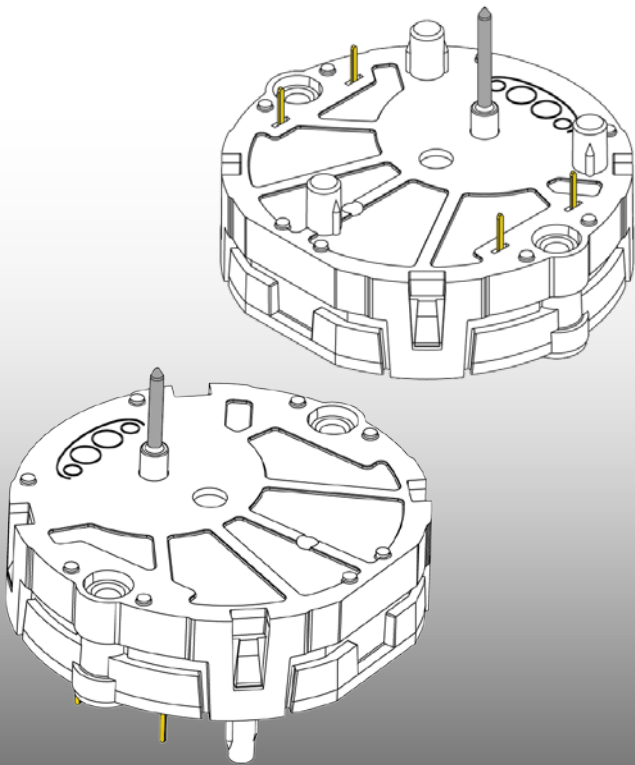




JUKEN Swiss Technology

X27



Automotive instrumentation  
stepper motor

1/3° resolution per partial step

High rotation speed up to 600°/s

High efficiency over full automotive  
Temperature range

Dome option for large pointers

Front or rear contacts

Dynamic torque [mNm] on shaft

